

MG1, AKA U4801 Mechanical Seal for Water Pumps, Piping Motors, and Vacuum Pumps MG1 (U4801)型机械密封

Structural Features: single end, unbalanced, fixed direction of rotation, rubber bellow transmission mechanical seal. This component seal has a compact structure and good compatibility and it is easy to install. The bellow and the spring provide pressure compensation to the sealing faces. The rubber bellow design can prevent radial runout so the floatability of the rotary ring is increased.

结构特点: 单端面、非平衡型、固定旋向、橡胶波纹管传动。结构紧凑，兼容性较强，安装方便。波纹管与弹簧提供压力补偿使密封端面贴合更加紧密；波纹管可补偿轴的径向跳动，提高了动环的浮动性。

Standards: DIN24250, ISO3069, GB6556, EN12756
符合标准: DIN24250, ISO3069, GB6556, EN12756

Scopes of Application: widely used in water pumps, piping pumps, sewage pumps, immersible motors, vacuum equipment and other rotary devices for sewage treatment, city water supply, chemical engineering, pharmacy, food processing, and paper making.

应用领域: 广泛应用于污水处理、市政、供排水、化工、制药、食品、造纸等领域。可同清水泵、管道泵、污水泵、潜水电机、真空设备等旋转设备配套。

Inner Diameter: 10 mm to 110 mm
规格范围: 10 mm - 110 mm

Materials

Rotary Ring Face: Carbon/SiC/TC

Stationary Ring Face: Al₂O₃/SiC/TC

Elastomers: NBR/EPDM/Viton

Springs: SS304/SS316

Metal Parts: SS304/SS316

材料

旋转环端面: 石墨/碳化硅/碳化钨

静止环端面: 氧化铝/碳化硅/碳化钨

辅助密封: 丁腈橡胶/三元乙丙胶/氟橡胶

弹簧: SS304/SS316

金属部件: SS304/SS316

Operation Parameters

Pressure: ≤ 1.0 MPa

Temperature: -20 ~ 120 °C

Linear Speed: ≤ 10 m/s

运行参数

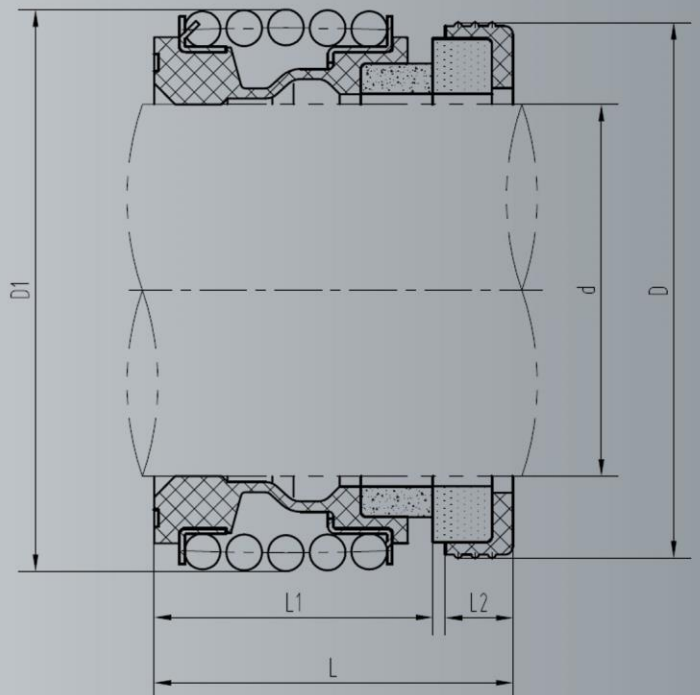
压力: ≤ 1.0 MPa

温度: -20 ~ 120 °C

线速度: ≤ 10 m/s

Mediums: oil, water, sewage, food and beverage, paper pulp and other weak-corrosion content.

适用介质: 油、水、污水、食品、纸浆等弱腐蚀性介质。





MG12 (G13) & U4801G12 (13) Mechanical Seal for Water Pumps, Submerged Motors, and Piping Pumps MG12 (G13) & U4801G12 (13)型 机械密封

Structural Features: single end, unbalanced, fixed direction of rotation, rubber bellow transmission mechanical seal. This seal component has a compact structure and good compatibility and it is easy to install. The bellow and the spring provide pressure compensation to the sealing faces. The rubber bellow design can prevent radial runout so the floatability of the rotary ring is increased.

结构特点: 单端面、非平衡型、固定旋向、橡胶波纹管传动。结构紧凑，兼容性较强，安装方便。波纹管与弹簧提供压力补偿使密封端面贴合更加紧密；波纹管可补偿轴的径向跳动，提高了动环的浮动性。

Standards: DIN24250, ISO3069, GB6556, EN12756
符合标准: DIN24250, ISO3069, GB6556, EN12756

Scopes of Application: widely used in water pumps, piping pumps, sewage pumps, immersible motors, vacuum equipment and other rotary devices for sewage treatment, city water supply, chemical engineering, phamcy, food processing, and paper making.

应用领域: 广泛应用于污水处理、市政、供排水、化工、制药、食品、造纸等领域。可同清水泵、管道泵、污水泵、潜水电机、真空设备等旋转设备配套。

Inner Diameter: 10 mm to 110 mm
规格范围: 10 mm - 110 mm

Materials

Rotary Ring Face: Carbon/SiC/TC
Stationary Ring Face: Al₂O₃/SiC/TC
Elastomers: NBR/EPDM/Viton
Springs: SS304/SS316
Metal Parts: SS304/SS316

材料

旋转环端面: 石墨/碳化硅/碳化钨
静止环端面: 氧化铝/碳化硅/碳化钨
辅助密封: 丁腈橡胶/三元乙丙胶/氟橡胶
弹簧: SS304/SS316
金属部件: SS304/SS316

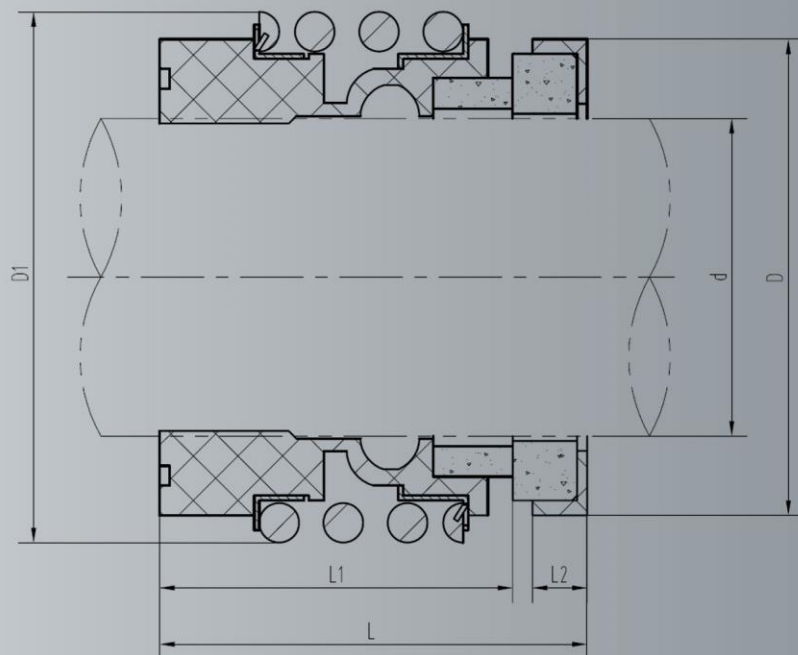
Operation Parameters

Pressure: ≤ 1.0 MPa
Temperature: -20 ~ 120 °C
Linear Speed: ≤ 10 m/s

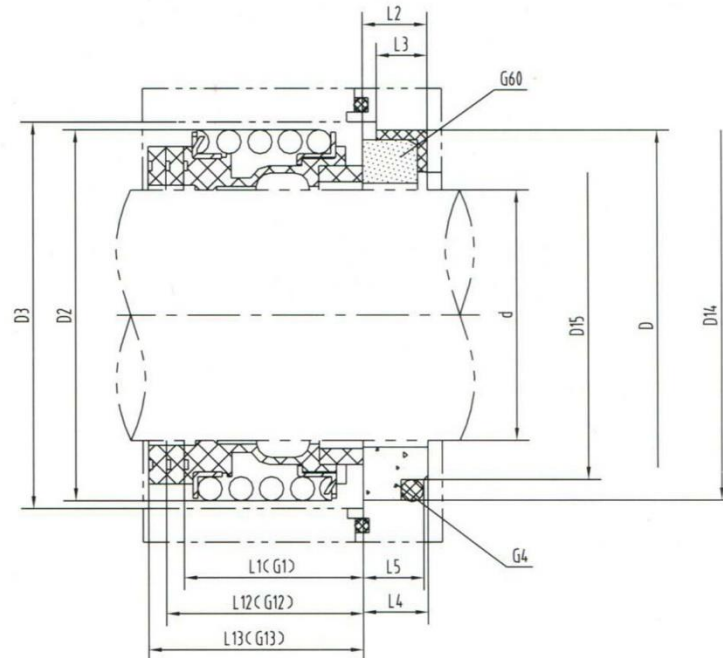
运行参数

压力: ≤ 1.0 MPa
温度: -20 ~ 120 °C
线速度: ≤ 10 m/s

Mediums: oil, water, sewage, food and beverage, paper pulp and other weak-corrosion content.
适用介质: 油、水、污水、食品、纸浆等弱腐蚀性介质。



MG1, MG12, and MG 13 Mechanical Seal Dimension Chart - MG1, MG12, and MG 13型机械密封尺寸对照表



Dimensions	d	D	D14	D15	D2	D3	L1	L12	L13	L2	L3	L4	L5
Shaft Sizes	h6	H8	H8	H11			±0.5	±0.5	±0.5				
14	14	25	24.6	20.5	28.5	30.0	17.0	28.4	33.4	6.6	4.5	6.5	5.6
16	16	27	28.0	22.0	28.5	30.0	17.0	28.4	33.4	6.6	4.5	8.5	7.5
18	18	33	30.0	24.0	32.0	33.0	19.5	30.0	37.5	7.5	6.0	9.0	8.0
20	20	35	35.0	29.5	37.0	38.0	21.5	30.0	37.5	7.5	6.5	8.5	7.5
22	22	37	35.0	29.5	37.0	38.0	21.5	30.0	37.5	7.5	6.5	8.5	7.5
24	24	39	38.0	32.0	42.5	44.0	22.5	32.5	42.5	7.5	6.5	8.5	7.5
25	25	40	38.0	32.0	42.5	44.0	23.0	32.5	42.5	7.5	6.5	8.5	7.5
28	28	43	42.0	36.0	49.0	50.0	26.5	35.0	42.5	7.5	6.5	10.0	9.0
30	30	45	45.0	39.2	49.0	50.0	26.5	35.0	42.5	7.5	6.5	11.5	10.5
32	32	48	48.0	42.2	53.5	55.0	27.5	35.0	47.5	7.5	6.5	11.5	10.5
33	33	48	50.0	44.2	53.5	55.0	27.5	35.0	47.5	7.5	6.5	12.0	11.0
35	35	50	52.0	46.2	57.0	59.0	28.5	35.0	47.5	7.5	6.5	12.0	11.0
38	38	56	55.0	49.2	59.0	61.0	30.0	36.0	46.0	9.0	7.5	11.3	10.3
40	40	58	58.0	52.2	62.0	64.0	30.0	36.0	46.0	9.0	7.5	11.8	10.8
43	43	61	62.0	53.3	65.5	67.0	30.0	36.0	51.0	9.0	8.0	13.2	12.0
45	45	63	64.0	55.3	68.0	70.0	30.0	36.0	51.0	9.0	8.0	12.8	11.6
48	48	66	68.4	59.7	70.5	74.0	30.5	36.0	51.0	9.0	8.0	12.8	11.6
50	50	70	69.3	60.8	74.0	77.0	30.5	38.0	50.5	9.5	8.0	12.8	11.6
53	53	73	72.3	63.8	78.5	81.0	33.0	36.5	59.0	11.0	8.0	13.5	12.3
55	55	75	75.4	66.5	81.0	83.0	35.0	36.5	59.0	11.0	8.0	14.5	13.3
58	58	78	78.4	69.5	85.5	88.0	37.0	41.5	59.0	11.0	8.0	14.5	13.3
60	60	80	80.4	71.5	88.5	91.0	38.0	41.5	59.0	11.0	8.0	14.5	13.3
65	65	85	85.4	76.5	93.5	96.0	40.0	41.5	69.0	11.0	8.0	14.2	13.0
70	70	92	92.0	83.0	99.5	103.0	40.0	48.7	68.7	11.3	9.5	14.2	13.0
75	75	97	99.0	90.2	107.0	110.0	40.0	48.7	68.7	11.3	9.5	15.2	14.0
80	80	105	104.0	95.2	112.0	116.0	40.0	48.0	78.0	12.0	10.0	16.2	15.0
85	85	110	109.0	100.2	120.0	124.0	41.0	46.0	76.0	14.0	10.0	16.0	14.8
90	90	115	114.0	105.2	127.0	131.0	45.0	51.0	76.0	14.0	10.0	16.0	14.8
95	95	120	120.3	111.6	132.0	136.0	46.0	51.0	76.0	14.0	11.0	17.0	15.8
100	100	125	123.3	114.5	137.0	141.0	47.0	51.0	76.0	14.0	11.0	17.0	15.8